

Operating Instructions

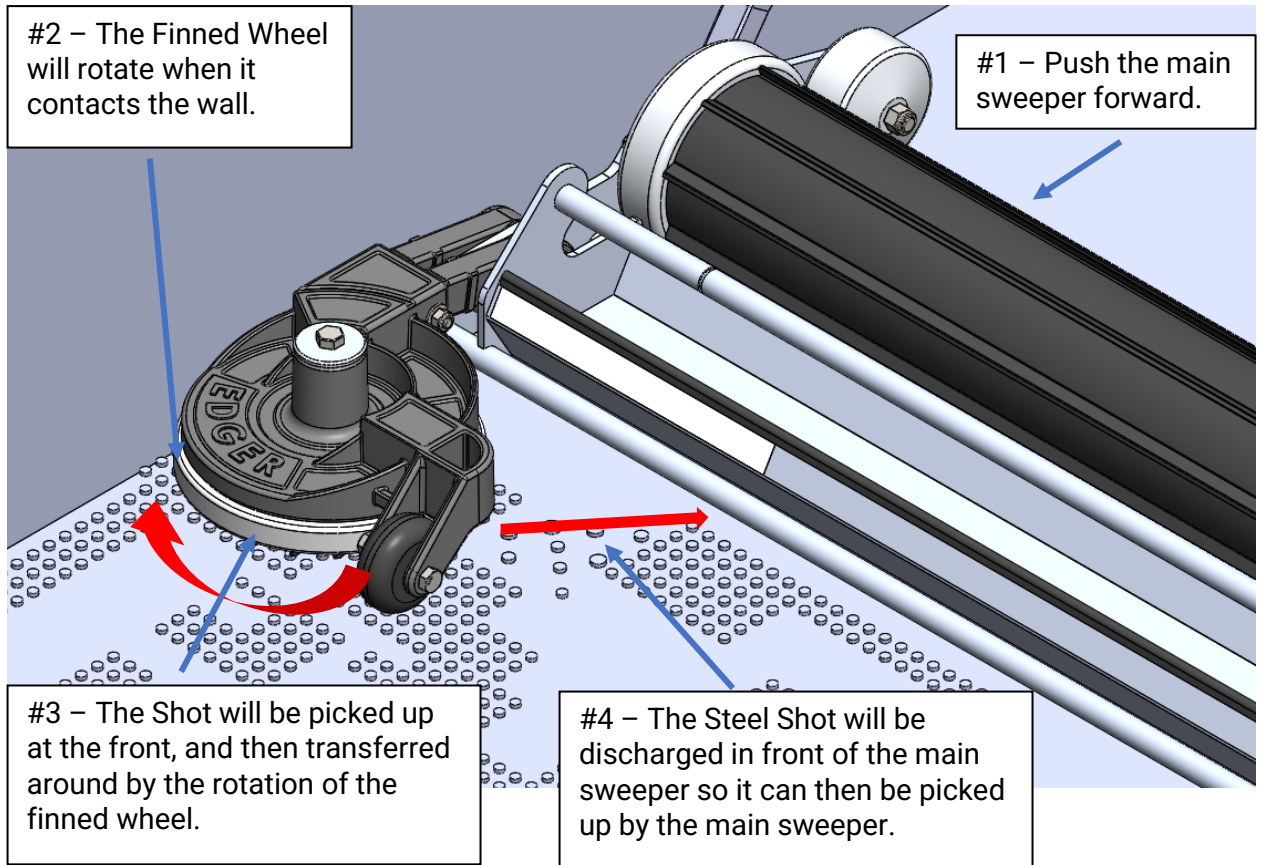
EDGER



Bluestreakequipment MAGNETICS
APPLICATION DRIVEN DESIGN

Bluestreak Equipment
1645 Hwy #3, Delhi, Ontario, Canada N4B 2W6

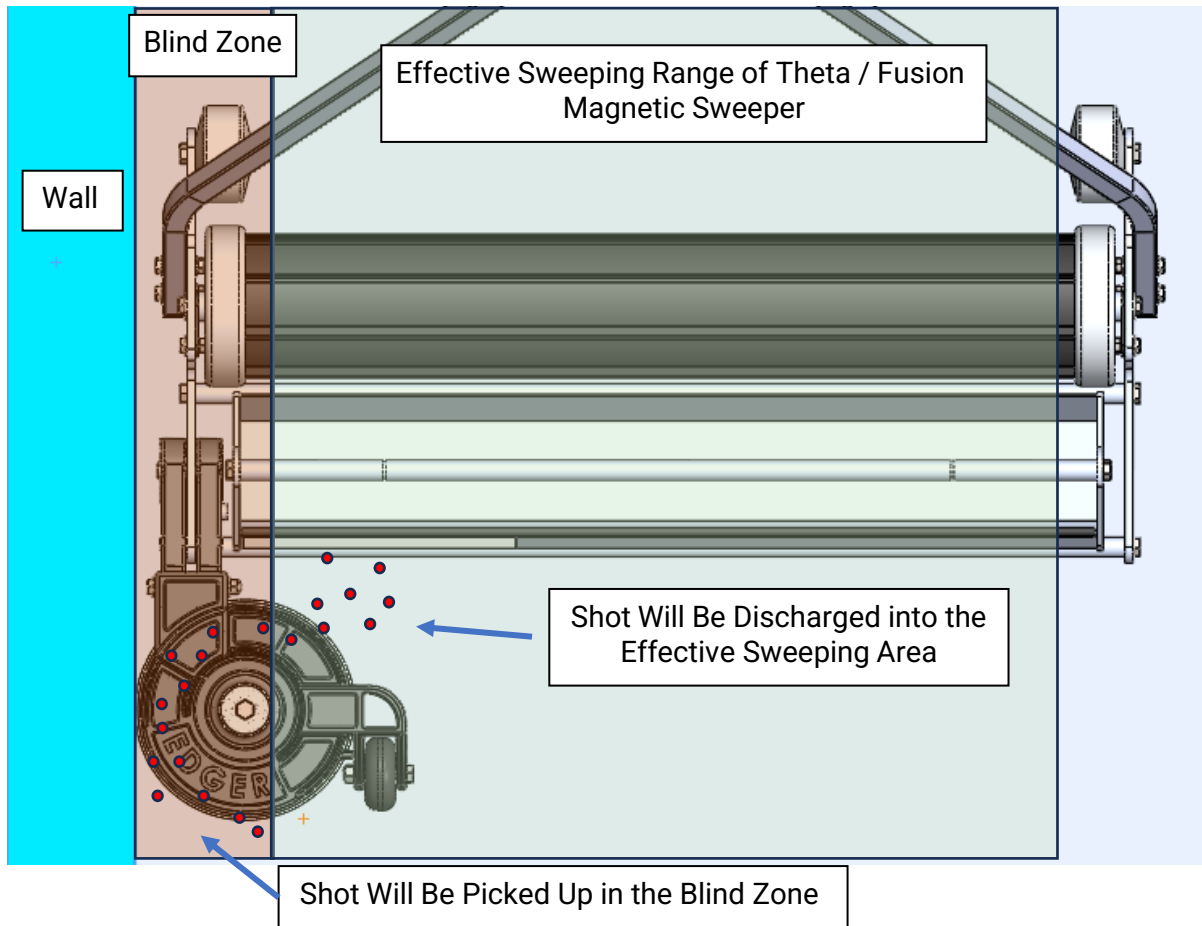
Overview of Operation



Operation of the Edger magnetic sweeper is straight forward. Push the main sweeper (Fusion or Theta) along the wall. Keep the side of the Edger sweeper in contact with the wall with some pressure. The shot will be picked up and transferred around by the rotation of the finned wheel and discharged at the location in front of the main sweeper (Fusion /Theta). As the operator moves forward, the Edger will be driven by the wall and bring the shot at the corner into the main sweeper's sweeping range continuously.

1. Picking Up Shot in Blind Zone

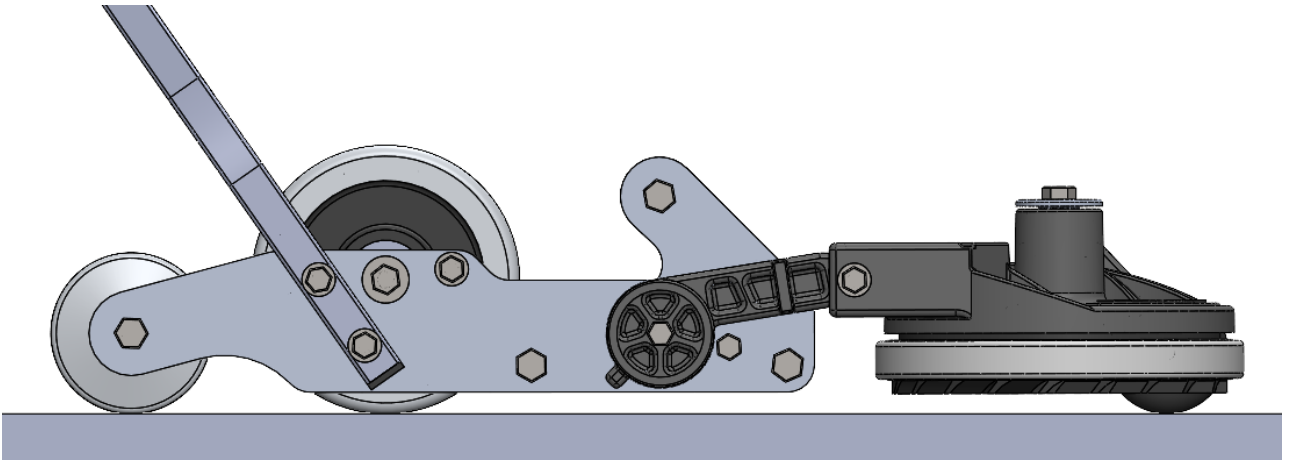
Top View



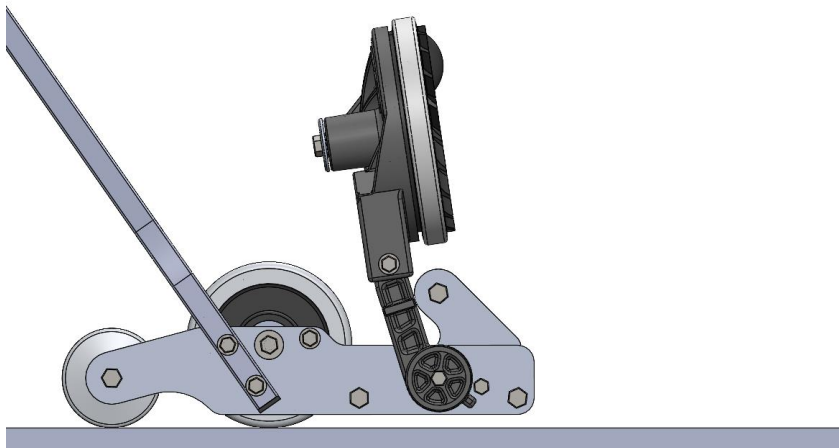
Due to the width of the wheel, end plate and handle of Theta/Fusion, there will be a gap (Blind Zone) between the wall and the magnet in the main sweeper (effective sweeping range). The Edger will fill this gap and bring the shot within the blind zone into the main sweeper's sweeping range.

2. Flip Up the Edger When Unused

Side View (Down)



Side View (Up)



The Edger can be flipped up and held in an upward position when unused. This can make transportation and storage of the sweeper easier.



3. Parts Availability

The Edger will be shipped fully assembled. Though all parts are still available for the magnetic sweeper from your dealer or directly from Bluestreak Equipment at www.bluestreakequipment.com